

6

5

4

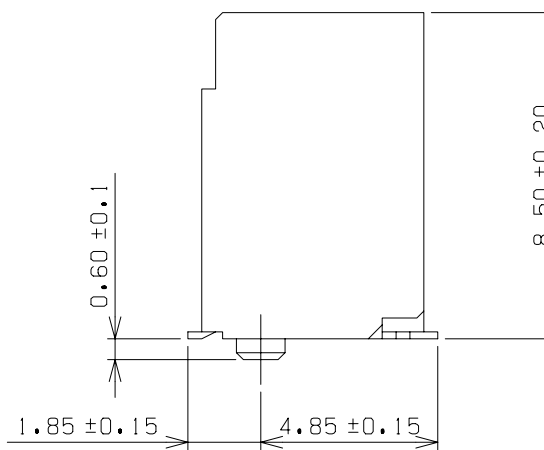
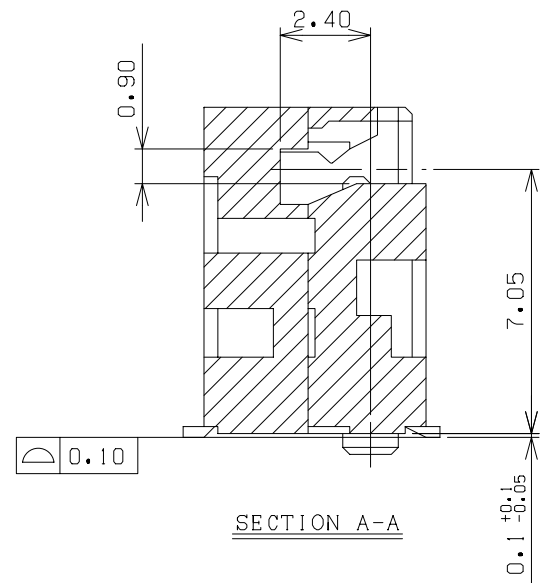
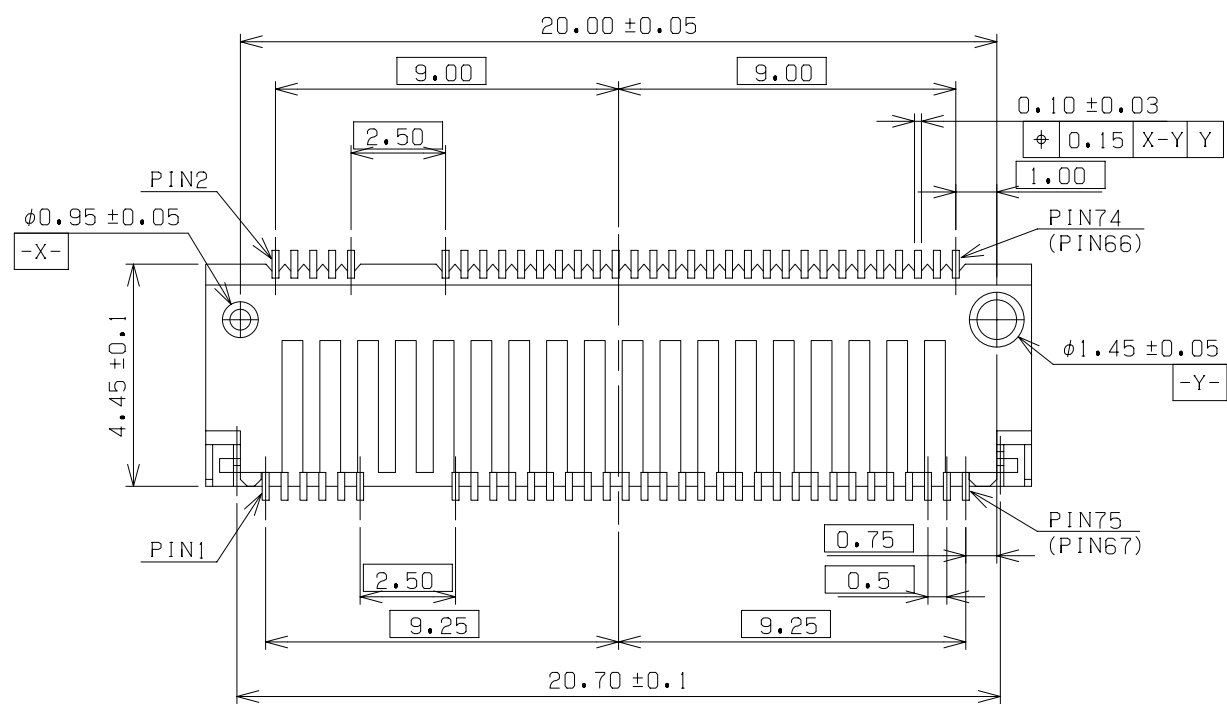
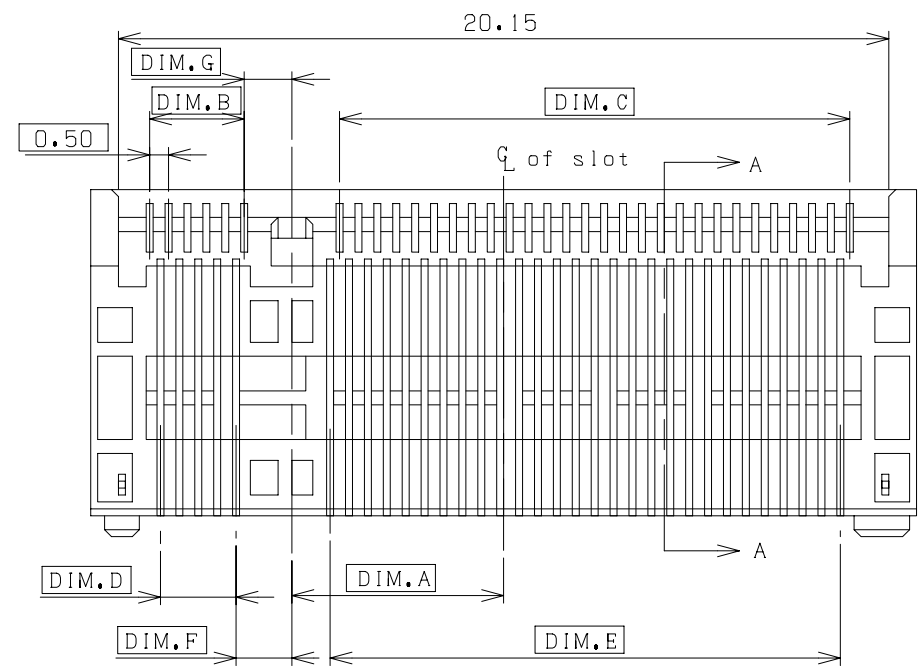
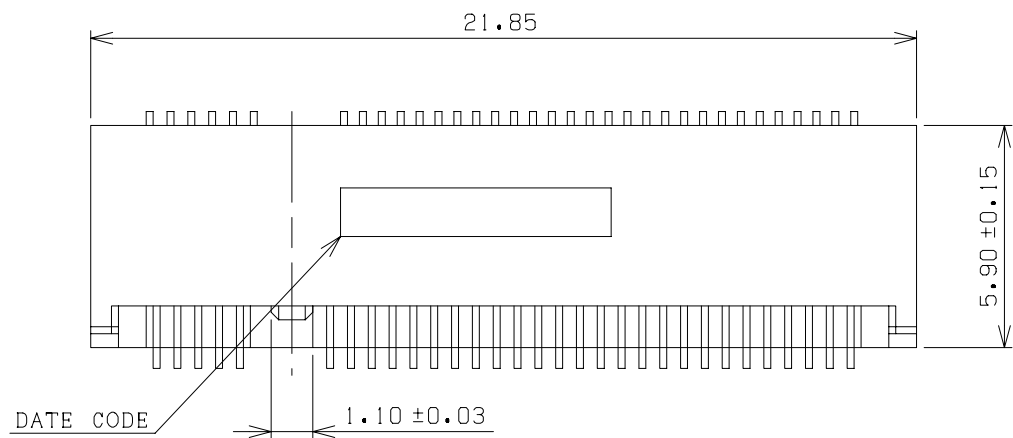
3

2

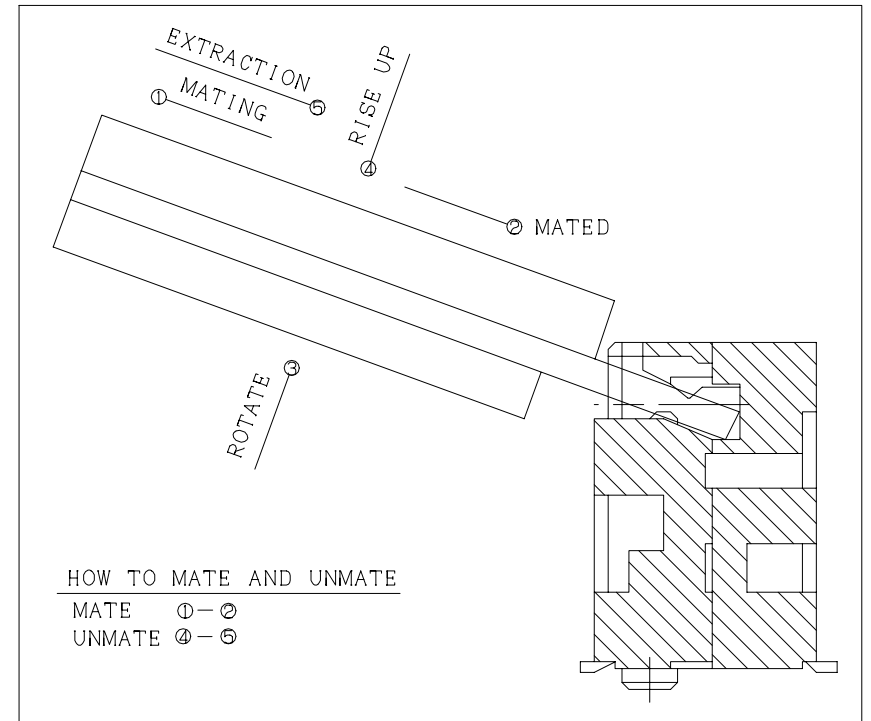
1

CONCEPT DRAWING

REV.	DESCRIPTION	DATE	DWG.	CHKD
0	PROPOSED	16.12.02	B.K	T.H



- NOTES:
 1 MATERIAL:
 1.1. HOUSING: HIGH TEMPERATURE THERMOPLASTIC, UL94V-0, COLOR: BLACK
 1.2. CONTACTS: COPPER ALLOY;
 1.3. PEG: STAINLESS STEEL.
 2. REFLOW SOLDER CAPABLE TO 260°C.
 3 FINISH:
 CONTACT: GOLD (SEE TABLE) PLATED ON CONTACT AREA AND GOLD FLASH SOLDER AREA. 50μ" MIN NICKEL UNDERPLATING OVERALL.
 PEG: 80μ" MIN MATTE-TIN PLATED ON SOLDERING AREA.
 50μ" MIN. NICKEL UNDERPLATING.
 4 CONNECTOR ACTUAL PIN QUANTITY IS 67, AS THE KEY TAKING OUT B PINS



1.375	1.125	1.5	14.0	2.0	14.0	-6.125	KEY M	Au 30μ" MIN	CA1077-067B05	CA1077-067B25
								Au 15μ" MIN	CA1077-067B04	CA1077-067B24
								Au 10μ" MIN	CA1077-067B03	CA1077-067B23
								Au 5μ" MIN	CA1077-067B02	CA1077-067B22
								GOLD FLASH	CA1077-067B01	CA1077-067B21
DIM G	DIM F	DIM E	DIM D	DIM C	DIM B	DIM A	KEY ID	FINISH	PART NO.	PART NO. (EMBOSS PACKING)

FINISH			NAME			PART NO.	
MATERIAL	*****	NET WEIGHT	***g	COLOR	BLACK	GENERAL TOLERANCE	UNIT: mm
FIN. & TREAT	*****	GROSS WEIGHT	***g	SCALE	5:1	SIZE	A3
CUSTOMER	*****	PART NO.	CA1077-067B**			REV.	0
CUSTOMER PART NO.	*****	PROPOSAL NO.	****-***-**-**			REV.	*
美星鴻科技股份有限公司 MSH TECHNOLOGY INC.				NAME		M.2 CONN. 8.5H KEY ID M TYPE	
APP.	16.12.02	CHKD.	16.12.02	DWG.	16.12.02	(SHEET 1 OF 4)	
T. HASHIMOTO	T. HASHIMOTO	B. KA		*****			

6

5

4

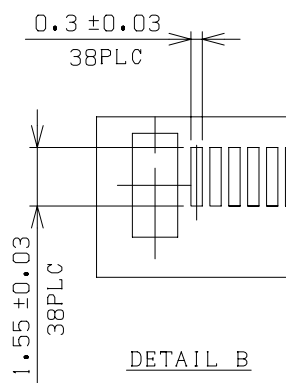
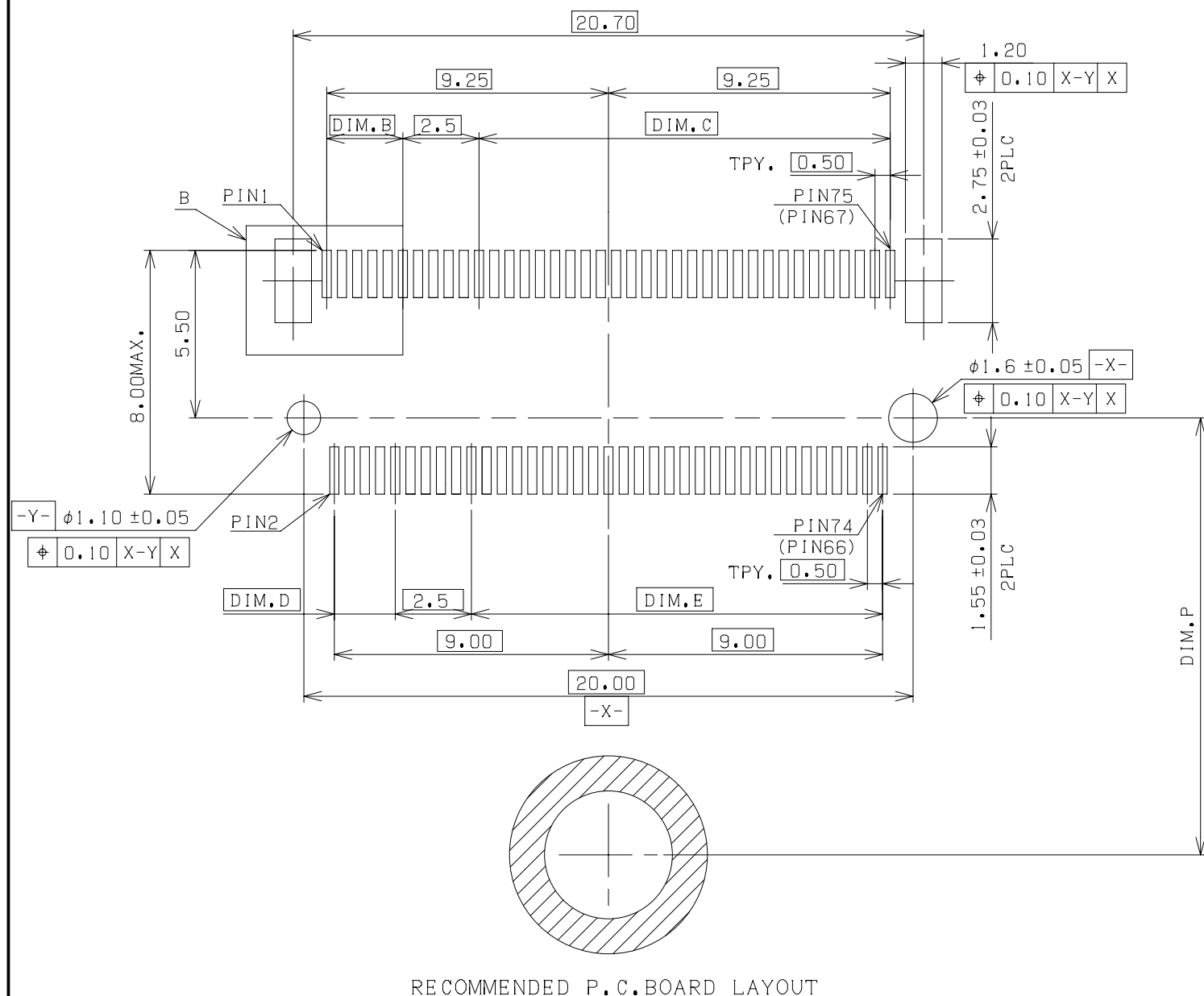
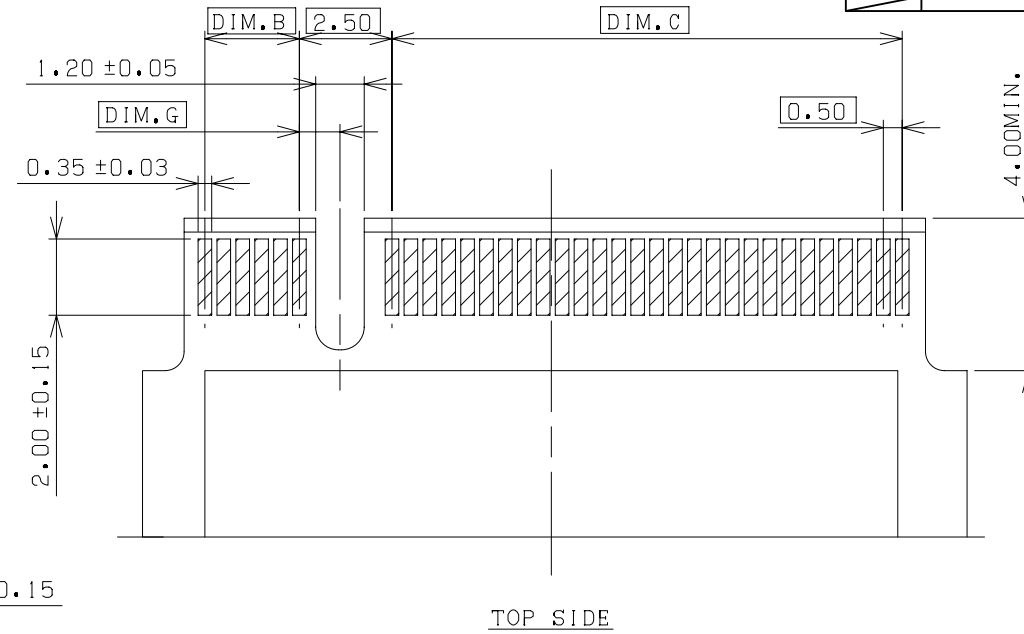
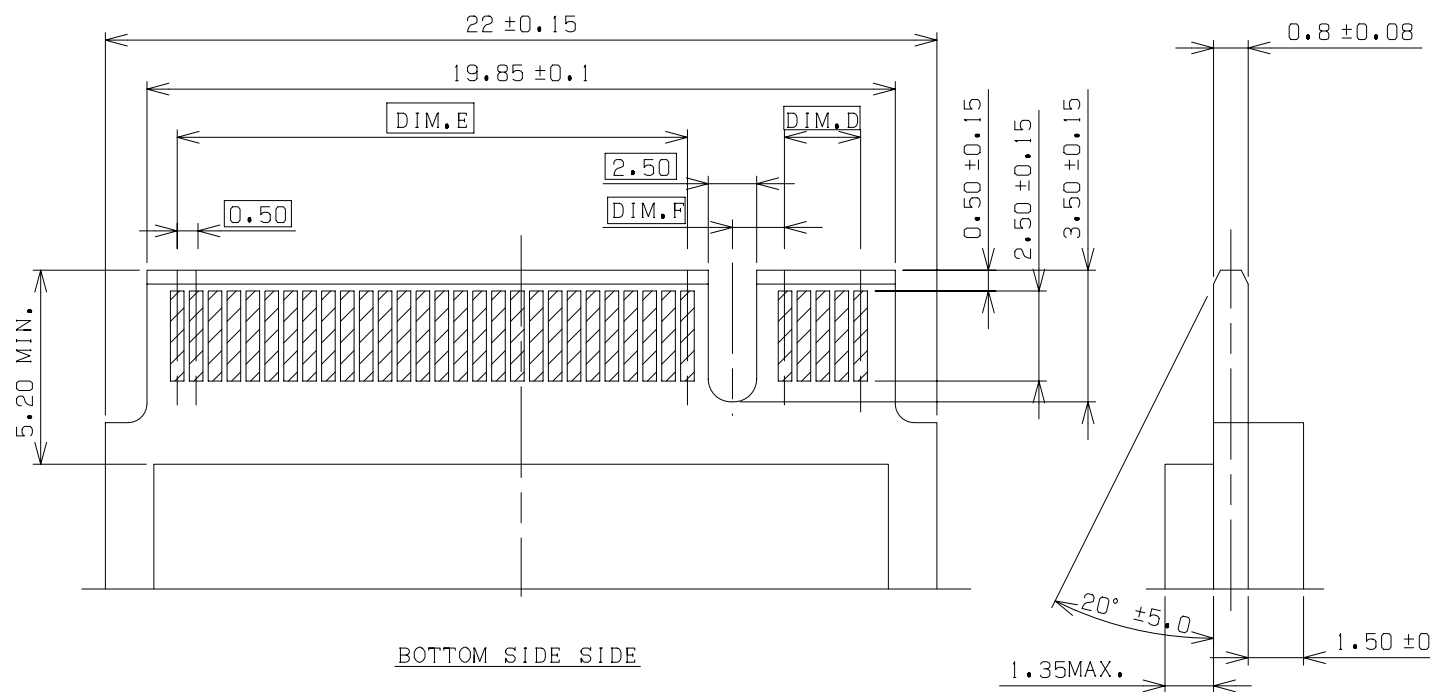
3

2

1

CONCEPT DRAWING

REV.	DESCRIPTION	DATE	DWG.	CHKD
	SEE SHEET 1 OF 4			



107.60	22110
77.60	2280
57.60	2260
39.60	2242
27.60	2230
39.60	3042
27.60	3030
DIM.P	MODULE TYPE

1.375	1.125	1.5	14.0	2.0	14.0	-6.125	PIN 59-66	KEY M
DIM G	DIM F	DIM E	DIM D	DIM C	DIM B	DIM A	PAD REMOVED	KEY ID

FINISH		NAME		PART NO.	
MATERIAL	*****	NET WEIGHT	***g	COLOR	BLACK
FIN.&TREAT	*****	GROSS WEIGHT	***g	SCALE	5:1
CUSTOMER	*****	PART NO.	CA1077-067B**		REV.
CUSTOMER PART NO.	*****	PROPOSAL NO.	****-***-**-**		REV.
美星鴻科技股份有限公司 MSH TECHNOLOGY INC.				M.2 CONN. 8.5H KEY ID M TYPE	
APP.	16.12.02	CHKD.	16.12.02	DWG.	16.12.02
T.HASHIMOTO	T.HASHIMOTO	B.KA		*****	

(CUSTOMER DRAWING)